

FITTING GUIDE

FITTING INSTRUCTIONS

1. From back of unit mark top reinforced bracket.
2. Drill 6mm through top bracket.
3. Set unit at desired height.
4. Support unit at desired height and mark top and bottom fixing positions through drilled holes.
5. Drill all holes for suitable fixings.
6. Screw basin stud into lower fixing plug.
7. Loosely fix unit onto bottom fixings. **Fig 1**
8. Loosely fit top fixings including cover cap.
9. Set unit straight using a spirit level.
10. Tighten all fixings enough to secure the unit.
11. Fix waste pipes through a conventional trap. **Fig 5**
12. Seal all edges and joints between units with standard silicone. **Fig 3**

RECOMMENDED FIXINGS

Supplied by others

Fig 2. Top Fixing Suitable wall plug, screw and cap

Fig 4. Bottom Fixing Suitable wall plug, 6mm basin bracket.

SANQUIP

1 STALL FLOOR URINAL

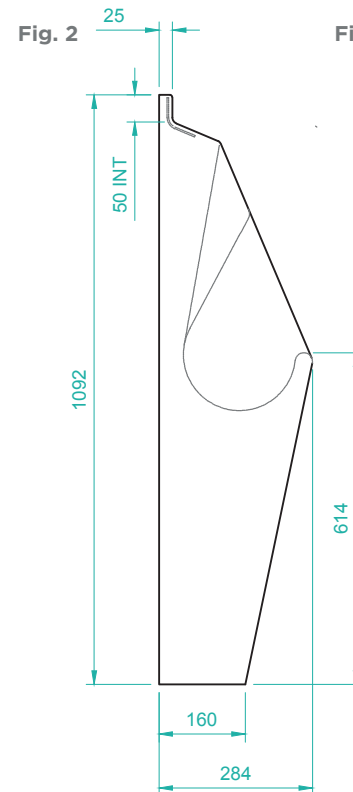
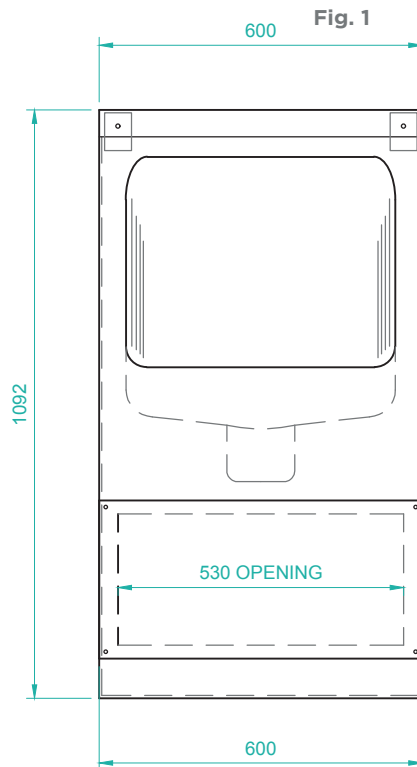


Fig. 3

Fig. 4

Fig. 5

