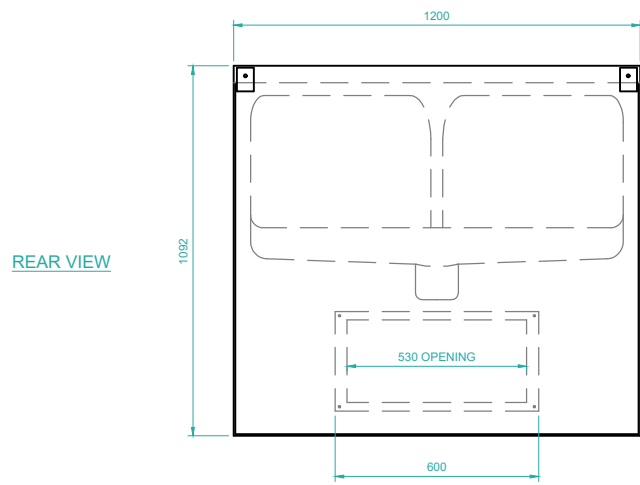
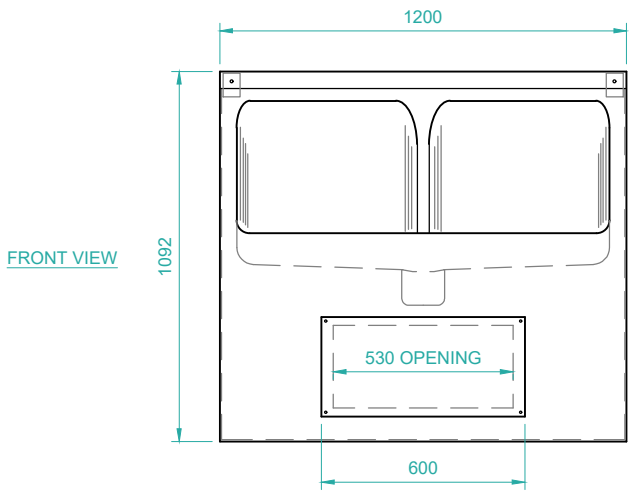
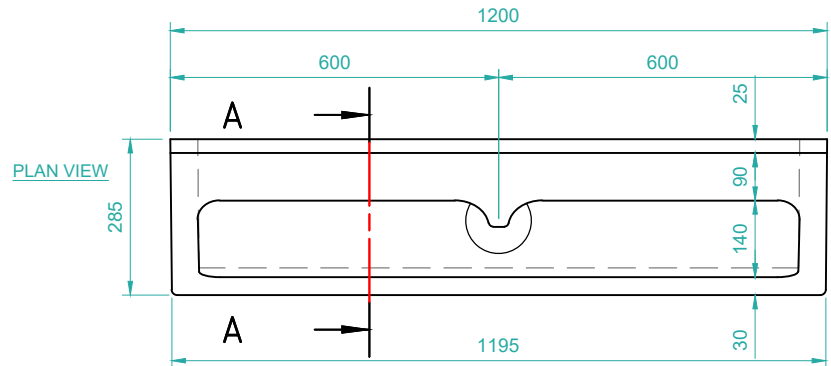
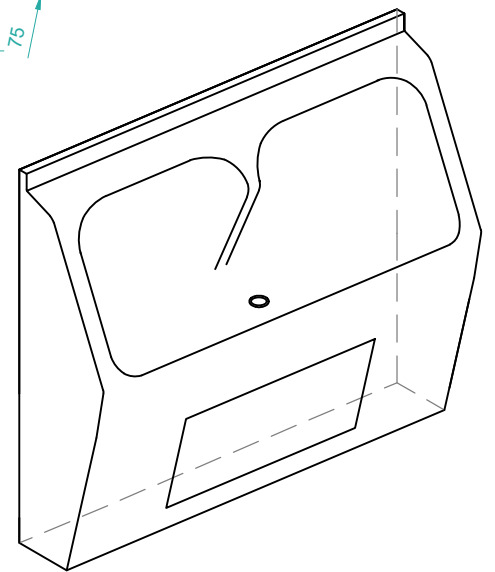
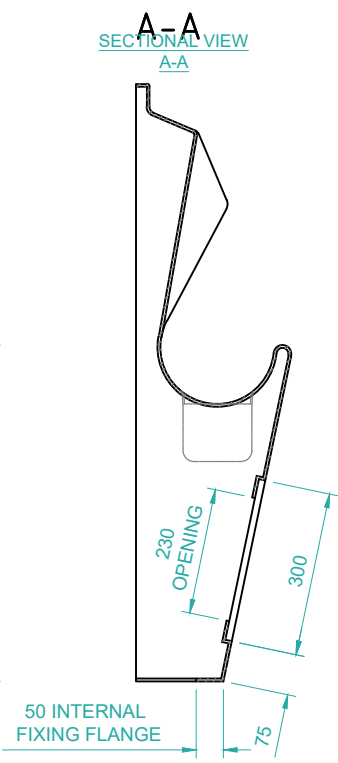
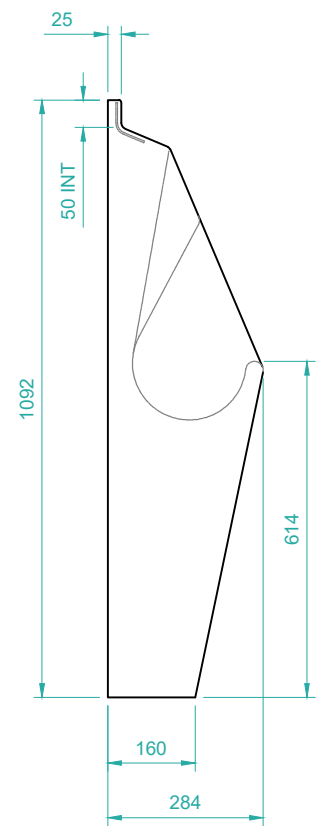


EMJ GLASS REINFORCED PLASTIC (GRP) SANQUIP FLOOR URINAL - TYPICAL DETAILS



STEEL REINFORCED CORNER FOR FIXING (SITE DRILL)

FLUSH FITTING GRP ACCESS DOOR SECURED WITH 4 OFF M6 STAINLESS STEEL DOME HEAD SECURITY SCREWS



2-STALL FLOOR URINAL INFORMATION

Standard Length: Two Stall: 1200mm
 Standard Height: Including Fixing Flange 655mm
 Weight: 16kg per metre run

- GRP Urinals are extremely durable and lightweight
- White smooth gloss gel-coat surface finish, resistant to staining and to acid and alkali concentration under normal use
- The smooth round curves of the product enable ease of cleaning and the materials used in products allow for cleaning without the use of harsh chemicals
- Units are available in a range of colours from the RAL Colour System

SANQUIP
www.sanquip.com
 Clarence Drive, Filey North Yorkshire YO14 0AD
 Tel: 01723 512224 Fax: 01723 515512 sales@emjplastics.com

Contract	Client
Title	2-STALL GRP FLOOR URINAL DETAIL
Drawing No.	Scale
	NOT TO SCALE
Drawn	J.CVENCEK