

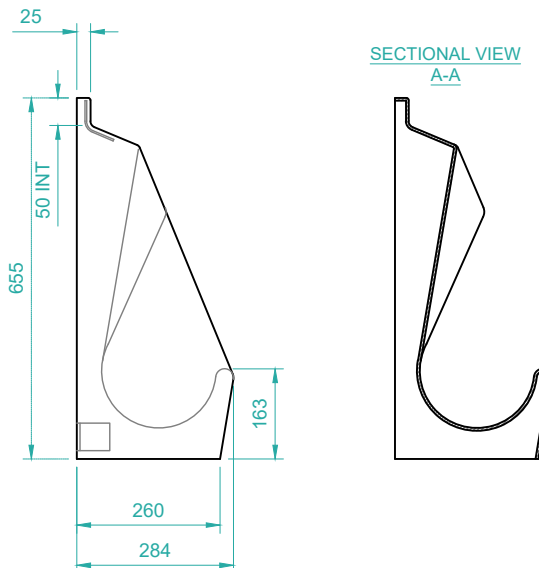
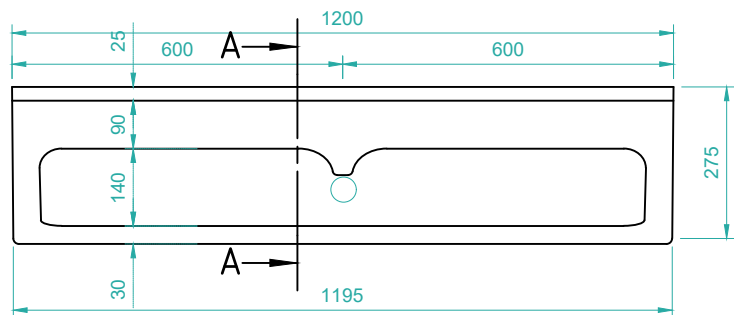
EMJ GLASS REINFORCED PLASTIC (GRP) SANQUIP WALL URINAL - TYPICAL DETAILS

2-STALL WALL URINAL INFORMATION

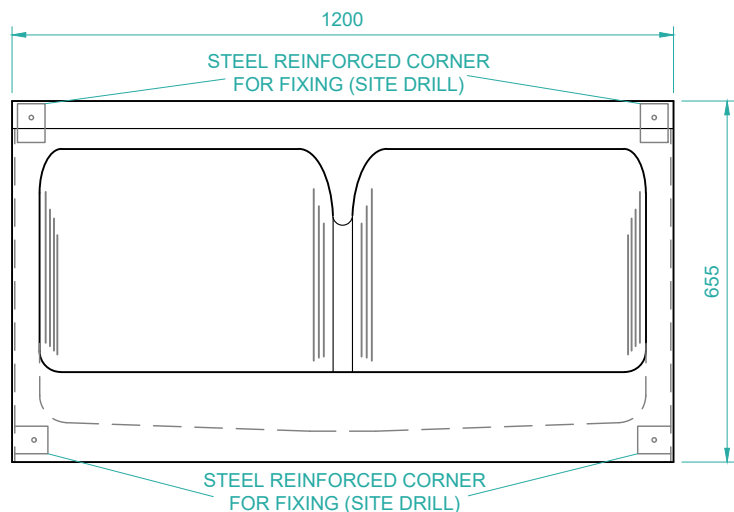
Standard Length: Two Stall: 1200mm
 Standard Height: Including Fixing Flange 655mm
 Weight: 16kg per metre run

- GRP Urinals are extremely durable and lightweight
- White smooth gloss gel-coat surface finish, resistant to staining and to acid and alkali concentration under normal use
- The smooth round curves of the product enable ease of cleaning and the materials used in products allow for cleaning without the use of harsh chemicals
- Units are available in a range of colours from the RAL Colour System

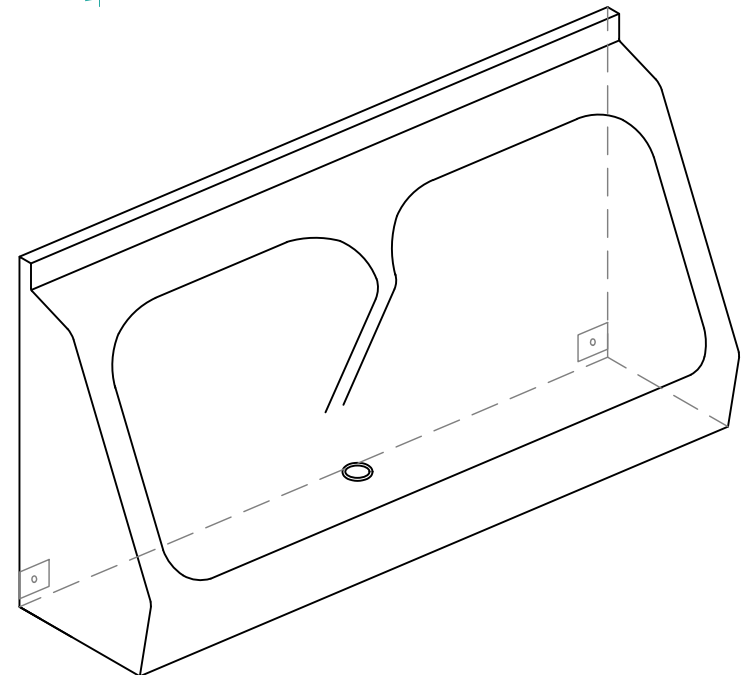
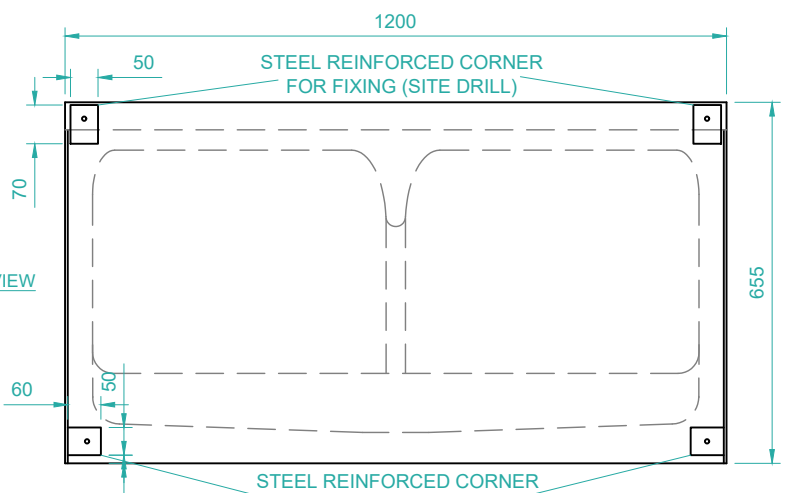
PLAN VIEW



FRONT VIEW



REAR VIEW



SANQUIP
www.sanquip.com
 Clarence Drive, Filey Tel: 01723 512224
 North Yorkshire Fax: 01723 515512
 YO14 0AD sales@emjplastics.com

Contract	-	Client	-
Title	2-STALL GRP WALL URINAL DETAIL		
Drawing No.	-	Scale	NOT TO SCALE
Drawn	J.CVENCEK		